

Southside Gateway Sign Presentation

Pati Beachley Sculpture
partnering with Ray Appleby,
Technique Architectural Products

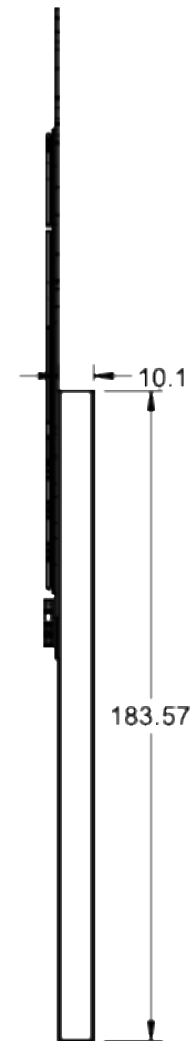
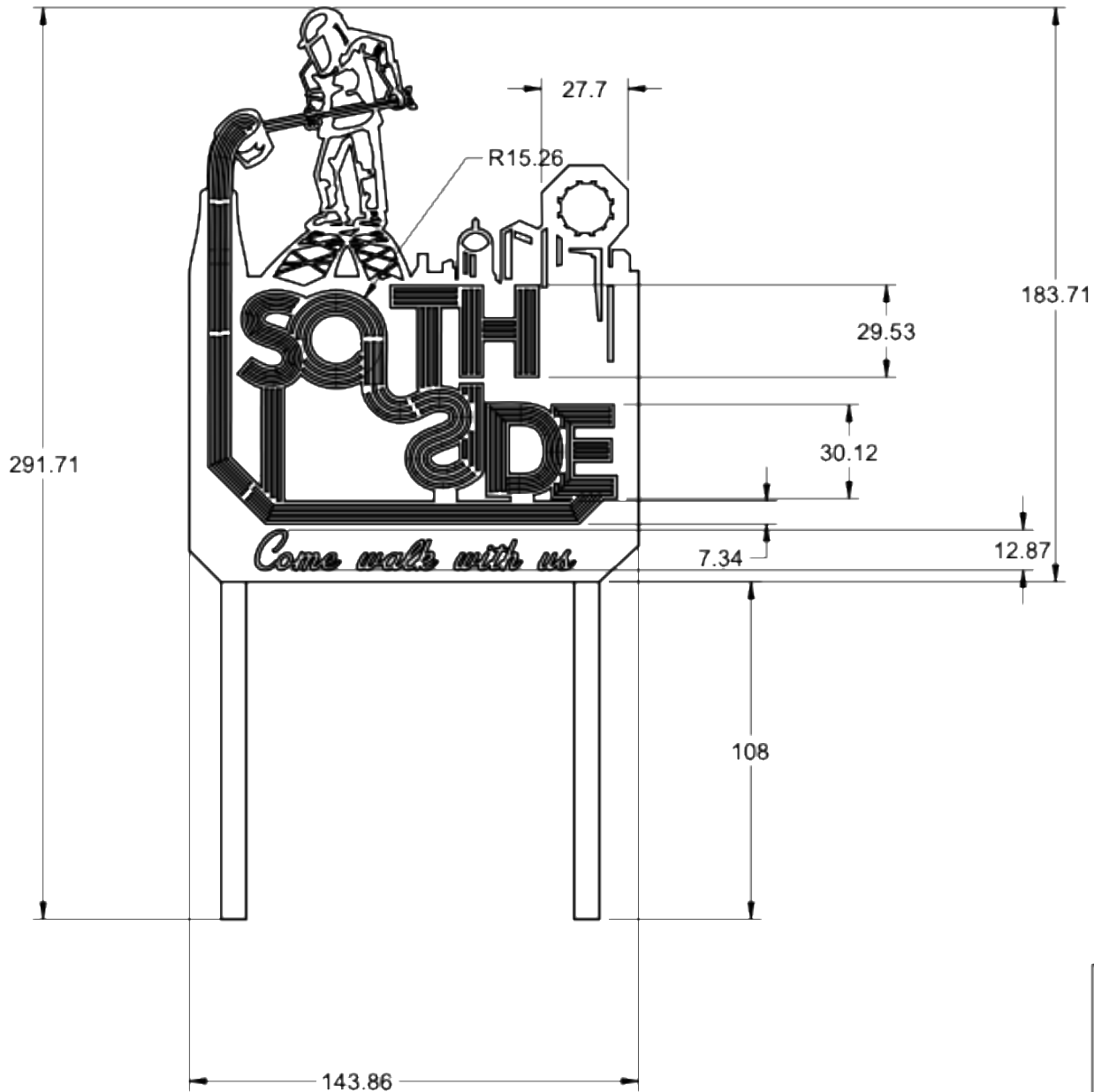
Sponsored by





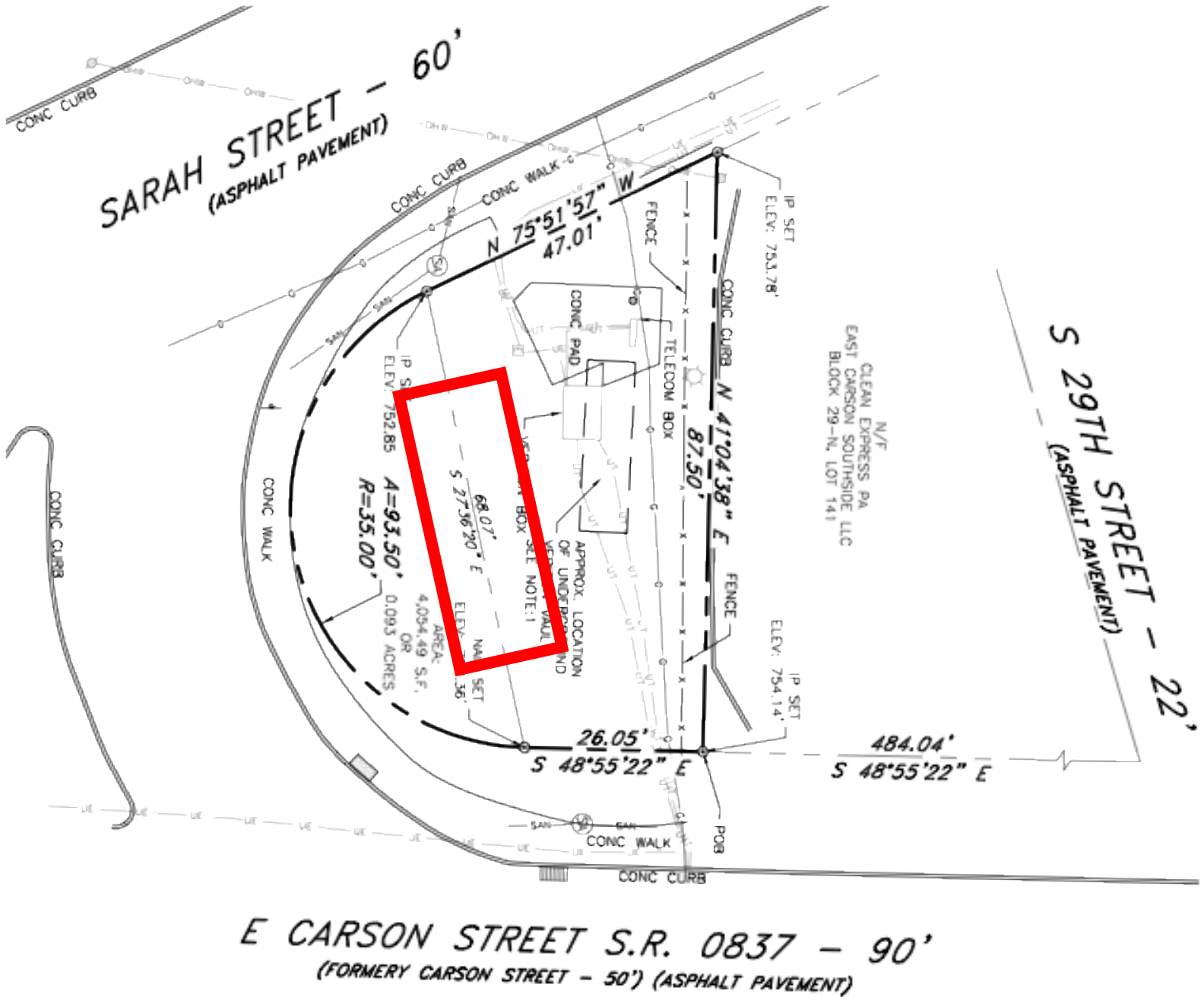
Construction Materials

- Corten Steel 5/8” backing plate with the contoured cut outs of skyline and foundry worker
- Steel for letter housing
- Cast Aluminum for “Come walk with us” logo with uplighting for evening readability
- Steel H-beam supports
- Neon LED exterior grade for “SouthSide” logo

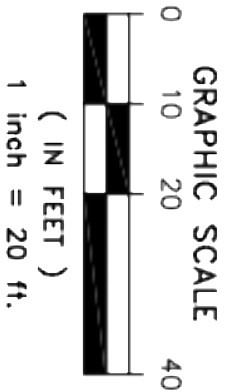


Letter height is readable from up to 300 Feet from the sign for "Southside" logo and up to 120 feet for the tagline "Come walk with us".

<p>116 Sq. ft. Main plate surface area.</p>	<p>PROJECT Pati Beachley</p>
<p>H-Beam McMaster part #</p>	<p>TITLE South Side Sign</p>



NOTES:
 1. APPROXIMATE LOCATION OF VERIZON VAULT AS PER DBV. 10453 PG. 83.
 UNABLE TO FIELD VERIFY LOCATION OF THE VAULT.



SURVEY OF PROPERTY

MADE FOR

Southside Community Council

SITUATE IN

16th Ward City of Pittsburgh
 Allegheny County - Pennsylvania



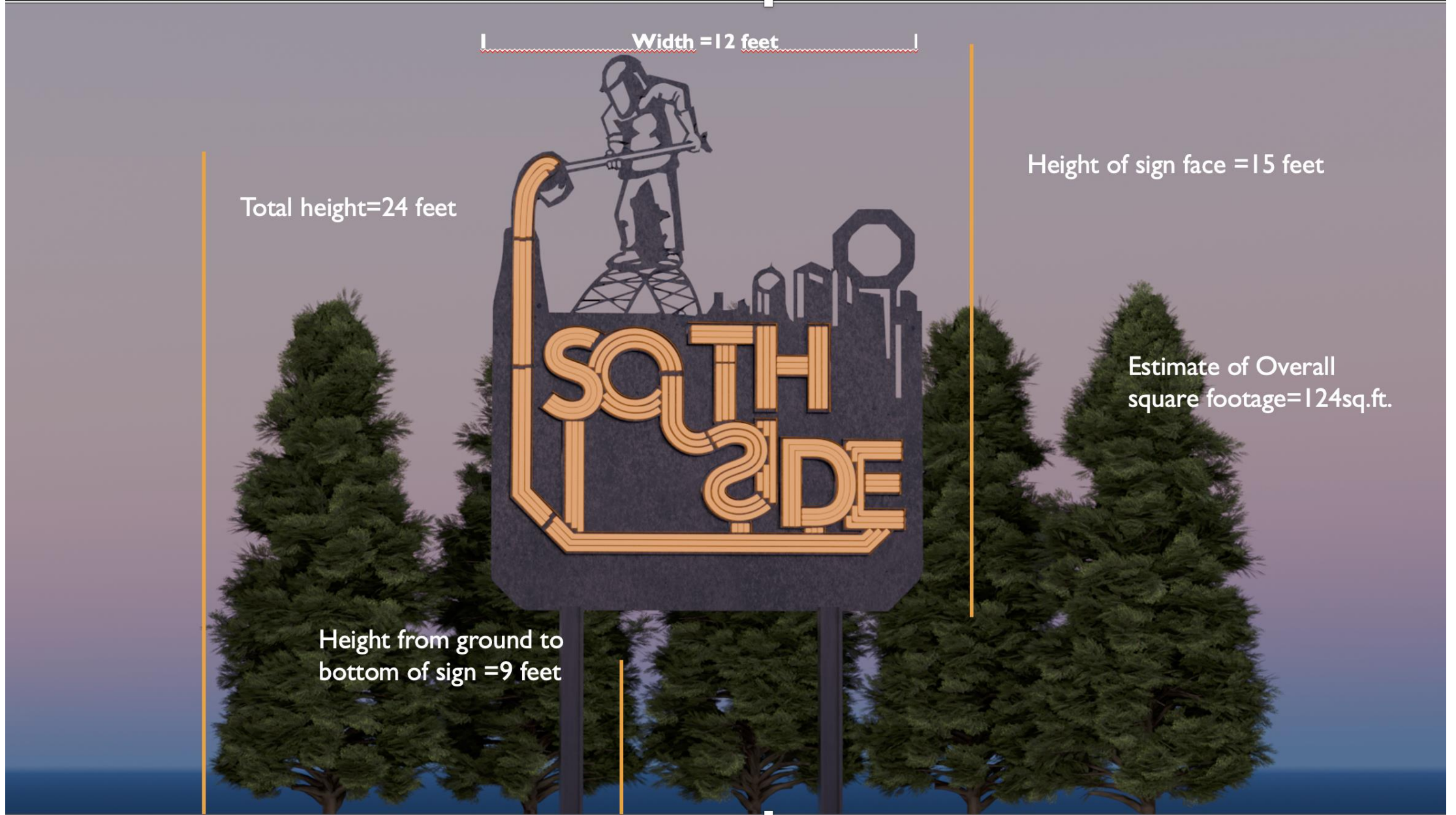
ENGINEERS & SURVEYORS

DEVELOPMENT SERVICES/
 DUE DILIGENCE/ENGINEERS/
 OWNERS/SURVEYORS

4314 OLD WILLIAM PENN HAVY,
 SUITE 101
 MONROEVILLE, PA 15146
 OFFICE: 724 325 1215

D.B.V.:	9315	BLOCK:	29-N	SCALE:	1"=20'	DRAWN BY:	TJK	PROJ. No.:	24-1224	SHEET NO	1 OF 1
PG.:	462	LOT:	140	REV. 1:	01/08/25	CHECKED BY:	SRP	DATE:	11/19/2024		

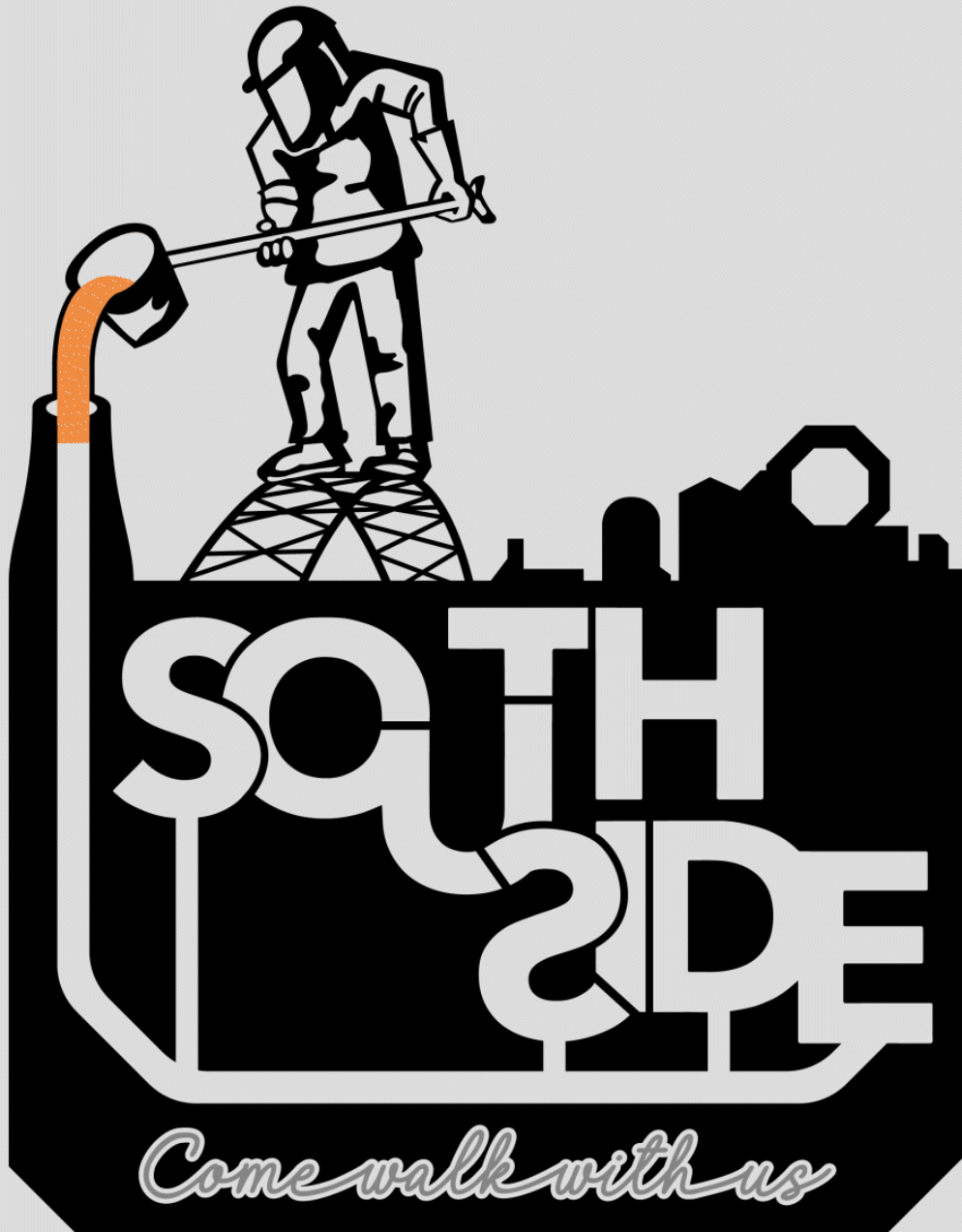
Elevations and Scale





Historical Features

- Highlights Industrial Past of **Ironmaking and Glass Production**
- Incorporates silhouette of the **Old Duquesne Brewing Clock**, now the Pittsburgh Iron City Brewing Clock
- Showcases the **Birmingham Bridge**
- Includes **Neighborhood Skyline** attributes with Cupolas and Rooftops



ANIMATION OF LIGHT FILLING THE SIGN

Stylistic Features

- **Nostalgia** of Neon signage
- **Animation Loop of Lighting**, similar to the Historic Heinz Ketchup sign on the Heinz History Center
- Made of durable **Steel highlighting an Industrial Feel** aligning with identity “Steel City”
- Highlights new **Branding Campaign** by utilizing font, colors and tagline for Southside





SOUTH SIDE

CLEAN

Community Engagement Timeline

Aug. 2025-Southside Community Council (SSCC) awards bid to Pati Beachley Sculpture and Ray Appleby of Technique, AP

Nov. 20, 2026-Design Review meeting with SSCC

Dec. 3, 2025-Community Engagement meeting with the SSCC and Southside residents

Feb. 5, 2026-Final design review meeting with SSCC

Feb. 19, 2026-Design presented at the Southside Development Activities meeting (DAM)